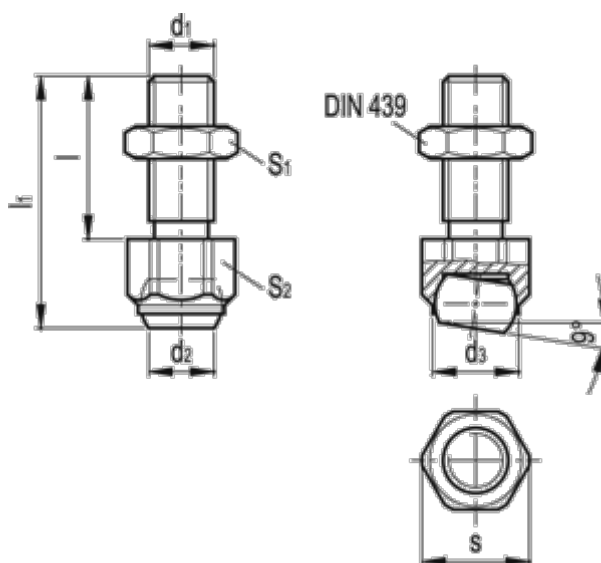


Article number: 20255392

Description: E+G Clamping pad
GN 709.3-13-M8-B

Measures



d1	= M8	S2	= 13
d2	= 5.8	Weight (g)	= 21
d3	= 8.5		
l	= 25		
l1	= 36.6		
Max static load (KN)	= 8		
s	= 14.5		
S1	= 13		